

PROJECT: LOT 21703

Scale: N.T.S

Drawn by: Thorif Ibrahim

Checked by: Muhammed Ibrahim

Date: 17th October 2022

DRAWING: LOCATION MAP

Remarks:



E 339111.538
N 468041.319

LOT 21695

E 339107.029
N 468029.573

LOT 21704

12.02M

12.58M

LOT 21703
AREA= 147.17 SQM
(1,584.18 SQFT)

11.56M

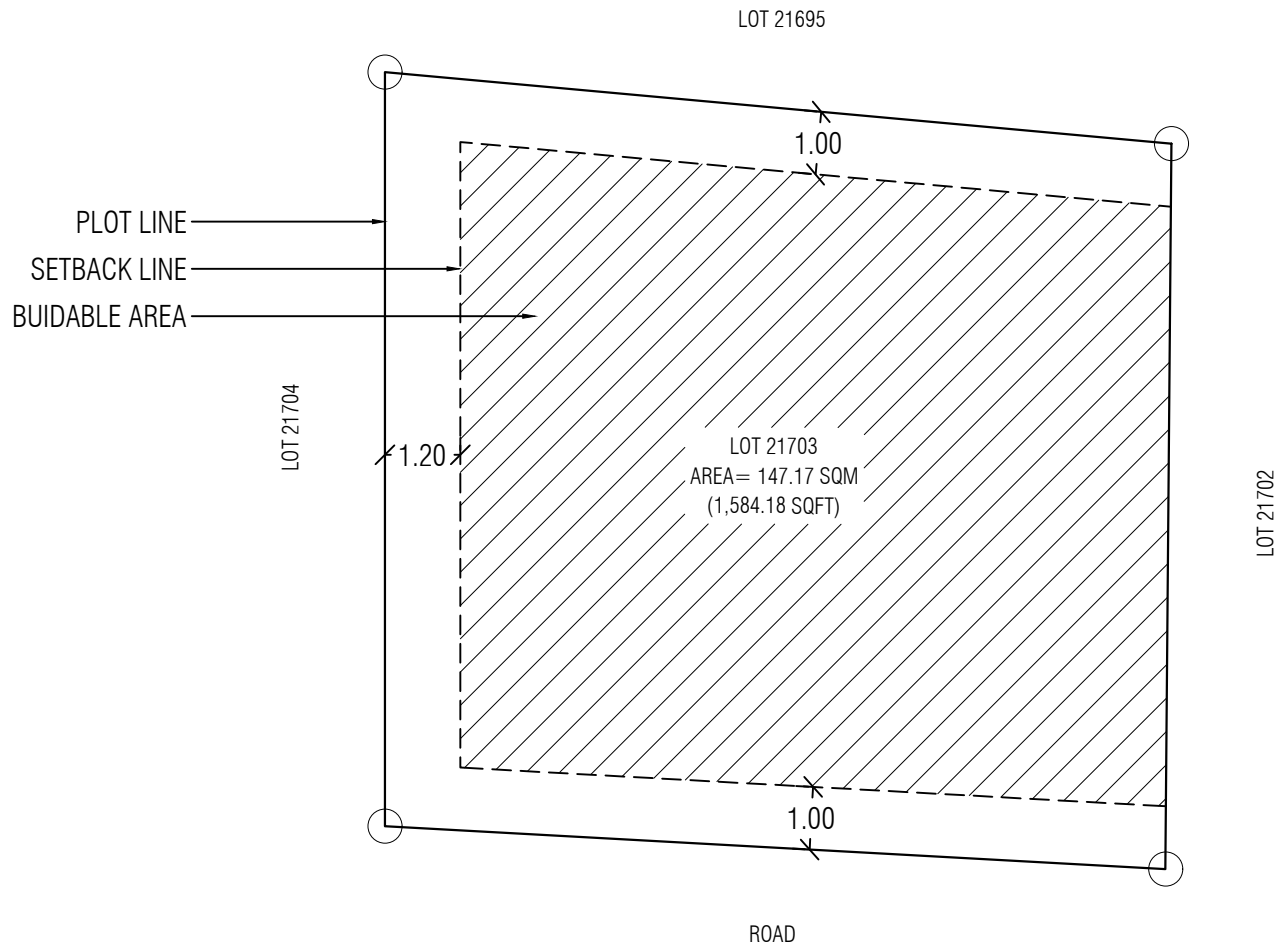
LOT 21702

E 339099.976
N 468044.591

12.45M

ROAD

E 339095.932
N 468032.808



PROJECT: LOT 21703

Scale: N.T.S

Drawn by: Ziya Zaki

Checked by: Shahid Ahmed Waheed

Date: 18th October 2022

DRAWING: SETBACK PLAN

Remarks: