

PROJECT: LOT 21706

Scale: N.T.S

Drawn by: Thorif Ibrahim

Checked by: Muhammed Ibrahim

Date: 17th October 2022

DRAWING: LOCATION MAP

Remarks:



E 339067.168
N 467985.635

ROAD

E 339063.094
N 467973.763

12.55M

LOT 21707

9.30M

LOT 21706
AREA= 114.28 SQM
(1,230.11 SQFT)

8.94M

LOT 21705

E 339058.219
N 467988.167

12.54M

LOT 21714

E 339054.494
N 467976.197



PLANNING AND DEVELOPMENT DEPARTMENT
3RD FLOOR, HDC BUILDING HULHUMALE'
REPUBLIC OF MALDIVES
TEL. +(960)3353535, FAX +(960)3358892
EMAIL : planning@hdc.com.mv

PROJECT: LOT 21706

DRAWING: PLOT MAP

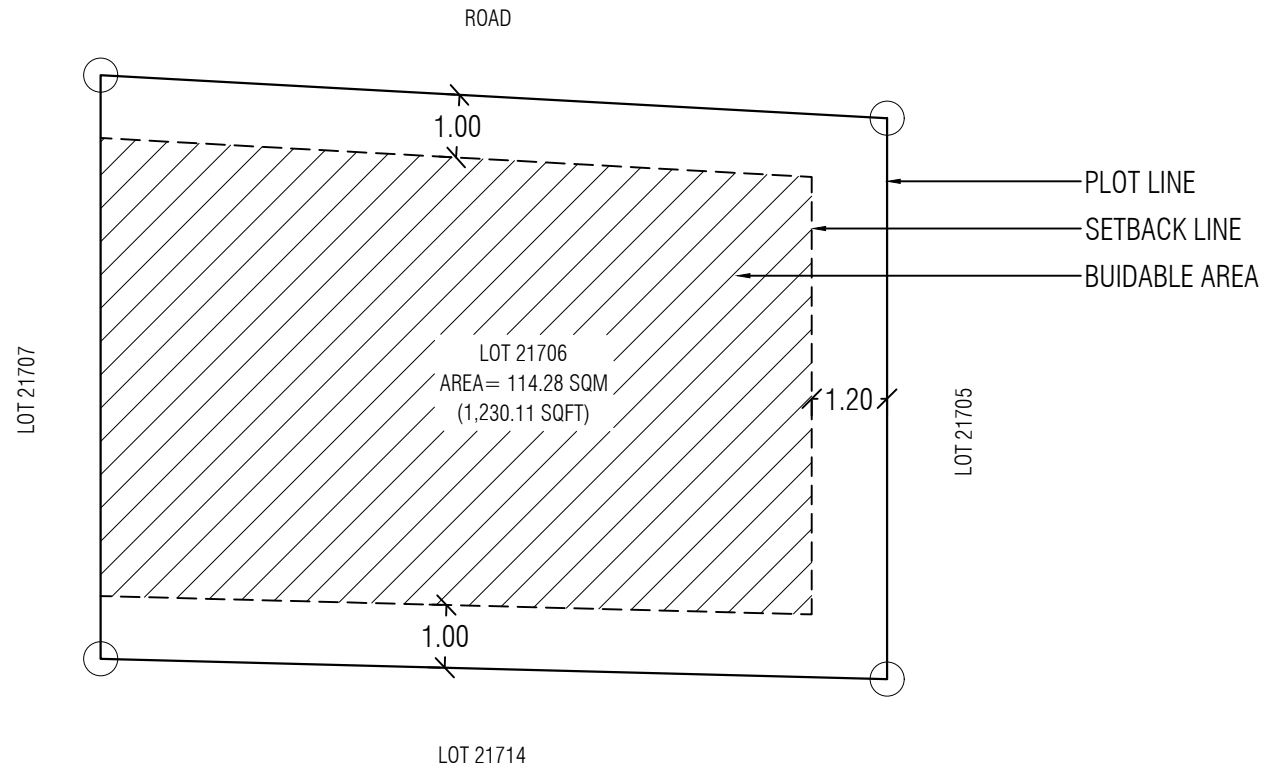
Scale: N.T.S

Drawn by: Thorif Ibrahim

Checked by: Muhammed Ibrahim

Date: 17th October 2022

Remarks:



PROJECT: LOT 21706

Scale: N.T.S

Drawn by: Ziya Zaki

Checked by: Shahid Ahmed Waheed

Date: 18th October 2022

DRAWING: SETBACK PLAN

Remarks: